

# LEDGESTONE™

**UNILOCK®**

TECH SHEET

THICKNESS 70MM

REGION OHIO



**UNILOCK®** Exclusive Technologies

■ REALA™



**COLORS**

---

**GREY**  
**FINISH: FLAGSTONE**



**COPING**  
610mm x 70mm x 305mm  
24" x 2 3/4" x 12"

**BUFF**  
**FINISH: FLAGSTONE**



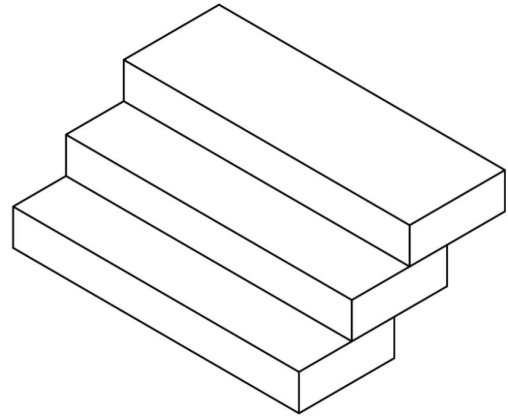
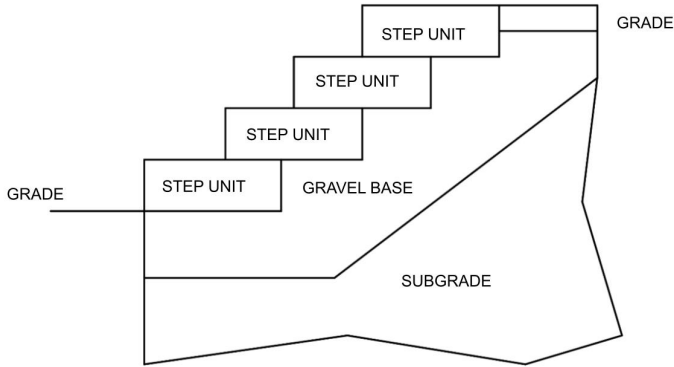
**CLOSED-END COPING**  
610mm x 70mm x 305mm  
24" x 2 3/4" x 12"

## TYPICAL CROSS SECTION

Note: Base, screed bed, infill aggregates and or reinforcements may vary based on project requirements or as specified by engineer.

### LEDGESTONE STEPS

1. UNITS ARE PLACED DIRECTLY OVER GRAVEL BASE
2. ADHESIVE - OPTIONAL
3. 0.5 DEGREE FORWARD SLOPE FOR DRAINAGE



## PACKAGING

	COPING	CLOSED-END COPING	PILLAR CAP 24"	FULLNOSE COPING
UNIT THICKNESS (MM)	70	70	100	60
LAYERS PER BUNDLE	4	4	5	4
FCFT PER BUNDLE	5.52	5.52	3.28	1.58
FCFT PER LAYER	1.38	1.38	0.66	0.39
FCFT PER UNIT	0.46	0.46	0.66	0.39
UNITS PER BUNDLE	12	12	5	4
UNITS PER LAYER	3	3	1	1
LBS PER BUNDLE	771.96	795.96	795.01	667.38
LBS PER LAYER	192.99	198.99	159	166.85
LBS PER UNIT	64.33	66.33	159	166.85

## INSTALLATION NOTES

---

### Ledgestone™

Ledgestone is a universal coping system that is turning heads with its remarkably natural appearance. Featuring pitched edges to work interchangeably with any wall, the design selections are optimized.

Applications – Coping for steps, pool edges, planters and walls. Units are designed for straight applications but radius applications can be achieved by cutting tapered units.

Connection – non-mechanical connection. Use appropriate concrete adhesive for connection between units. Install with tight joints or 3/16" gap between units and amend with an exterior latex caulking. Cutting may be required; a diamond blade saw is required to cut coping properly. Glue all coping using a specially formulated concrete adhesive that is strong and will not break down over time. Always read adhesive manufacturers' directions prior to gluing. NOTE: always scarify (rough-up) the back surface of the coping units with a grinder prior to gluing so that you will have a strong secure connection.

Note: always slope Ledgestone units slightly (from front to back or back to front) to prevent pooling of water on the surface.

Handling – Handle gently to avoid chipping edges.

---

Contact Unilock Representative for actual color samples and availability. Unilock reserves the right to change product information without notice.

PDF Generated October 29, 2024, 5:38 pm

**UNILOCK**