

# LEDGESTONE™

**UNILOCK®**

TECH SHEET

THICKNESS 100MM

REGION OHIO



**UNILOCK®** Exclusive Technologies

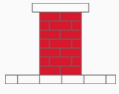
■ REALA™



## APPLICATIONS

Note: Not all sizes are suitable for every application. Contact Unilock Representative for assistance.

---



Pillars

## COLORS

---

**GREY**  
FINISH: FLAGSTONE



**PILLAR CAP 24"**  
610mm x 100mm x 610mm  
24" x 3 7/8" x 24"

**BUFF**  
FINISH: FLAGSTONE



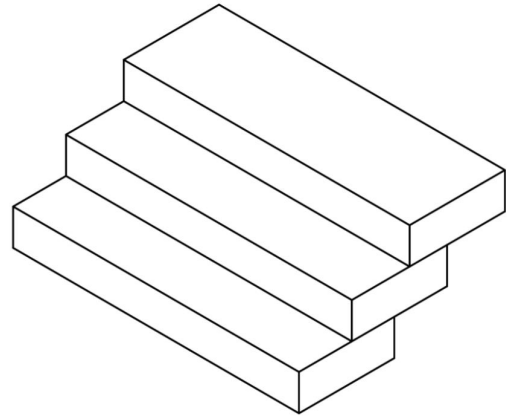
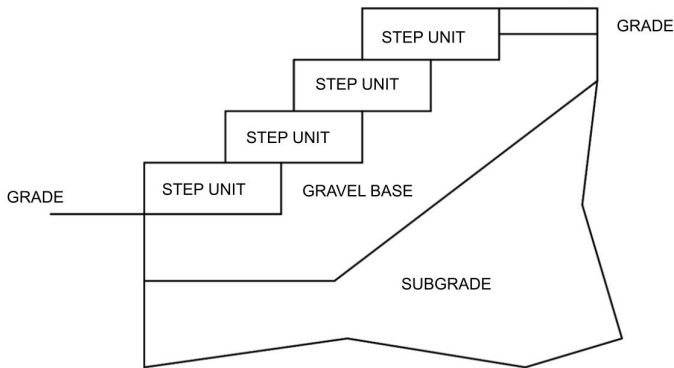
**PILLAR CAP 24"**  
610mm x 100mm x 610mm  
24" x 3 7/8" x 24"

**TYPICAL CROSS SECTION**

Note: Base, screed bed, infill aggregates and or reinforcements may vary based on project requirements or as specified by engineer.

**LEDGESTONE STEPS**

1. UNITS ARE PLACED DIRECTLY OVER GRAVEL BASE
2. ADHESIVE - OPTIONAL
3. 0.5 DEGREE FORWARD SLOPE FOR DRAINAGE



**PACKAGING**

|                            | <b>COPING</b> | <b>CLOSED-END COPING</b> | <b>PILLAR CAP 24"</b> | <b>FULLNOSE COPING</b> |
|----------------------------|---------------|--------------------------|-----------------------|------------------------|
| <b>UNIT THICKNESS (MM)</b> | 70            | 70                       | 100                   | 60                     |
| <b>LAYERS PER BUNDLE</b>   | 4             | 4                        | 5                     | 4                      |
| <b>FCFT PER BUNDLE</b>     | 5.52          | 5.52                     | 3.28                  | 1.58                   |
| <b>FCFT PER LAYER</b>      | 1.38          | 1.38                     | 0.66                  | 0.39                   |
| <b>FCFT PER UNIT</b>       | 0.46          | 0.46                     | 0.66                  | 0.39                   |
| <b>UNITS PER BUNDLE</b>    | 12            | 12                       | 5                     | 4                      |
| <b>UNITS PER LAYER</b>     | 3             | 3                        | 1                     | 1                      |
| <b>LBS PER BUNDLE</b>      | 771.96        | 795.96                   | 795.01                | 667.38                 |
| <b>LBS PER LAYER</b>       | 192.99        | 198.99                   | 159                   | 166.85                 |
| <b>LBS PER UNIT</b>        | 64.33         | 66.33                    | 159                   | 166.85                 |

## INSTALLATION NOTES

---

### Ledgestone™

Ledgestone is a universal coping system that is turning heads with its remarkably natural appearance. Featuring pitched edges to work interchangeably with any wall, the design selections are optimized.

Applications – Coping for steps, pool edges, planters and walls. Units are designed for straight applications but radius applications can be achieved by cutting tapered units.

Connection – non-mechanical connection. Use appropriate concrete adhesive for connection between units. Install with tight joints or 3/16" gap between units and amend with an exterior latex caulking. Cutting may be required; a diamond blade saw is required to cut coping properly. Glue all coping using a specially formulated concrete adhesive that is strong and will not break down over time. Always read adhesive manufacturers' directions prior to gluing. NOTE: always scarify (rough-up) the back surface of the coping units with a grinder prior to gluing so that you will have a strong secure connection.

Note: always slope Ledgestone units slightly (from front to back or back to front) to prevent pooling of water on the surface.

Handling – Handle gently to avoid chipping edges.

---

Contact Unilock Representative for actual color samples and availability. Unilock reserves the right to change product information without notice.

PDF Generated October 29, 2024, 5:38 pm

**UNILOCK**