

LEDGESTONE™

UNILOCK®

TECH SHEET

THICKNESS 100MM

REGION CHICAGO



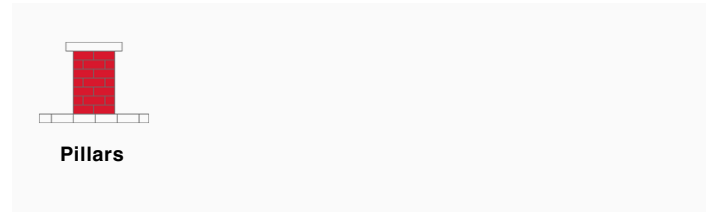
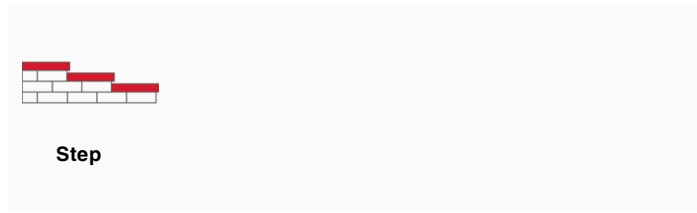
UNILOCK® Exclusive Technologies

CLASSIC COAT



APPLICATIONS

Note: Not all sizes are suitable for every application. Contact Unilock Representative for assistance.



COLORS

GREY FINISH: FLAGSTONE



PILLAR CAP 24"
610mm x 100mm x 610mm
24" x 3 7/8" x 24"



PILLAR CAP 29"
740mm x 100mm x 740mm
29 1/8" x 3 7/8" x 29 1/8"

BUFF FINISH: FLAGSTONE



PILLAR CAP 24"
610mm x 100mm x 610mm
24" x 3 7/8" x 24"



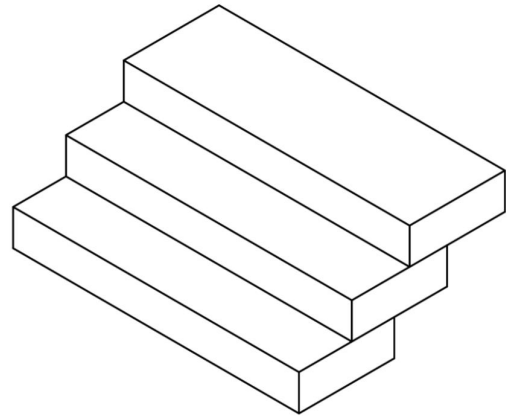
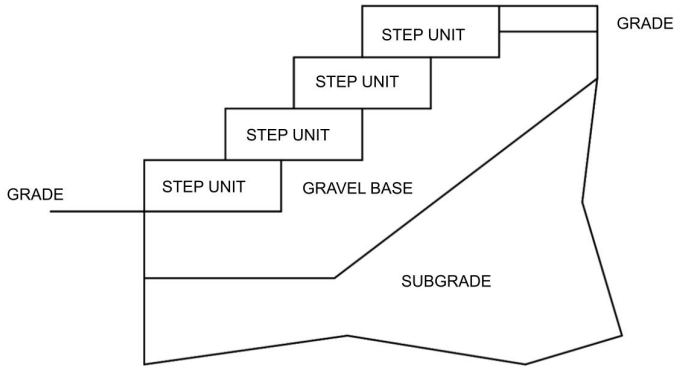
PILLAR CAP 29"
740mm x 100mm x 740mm
29 1/8" x 3 7/8" x 29 1/8"

TYPICAL CROSS SECTION

Note: Base, screed bed, infill aggregates and or reinforcements may vary based on project requirements or as specified by engineer.

LEDGESTONE STEPS

1. UNITS ARE PLACED DIRECTLY OVER GRAVEL BASE
2. ADHESIVE - OPTIONAL
3. 0.5 DEGREE FORWARD SLOPE FOR DRAINAGE



PACKAGING

| | CLOSED-END COPING | PILLAR CAP 24" | COPING | FULLNOSE COPING | LARGE COPING | LARGE CLOSED-END COPING | LARGE STEP TREAD |
|---------------------|-------------------|----------------|--------|-----------------|--------------|-------------------------|------------------|
| UNIT THICKNESS (MM) | 70 | 100 | 70 | 60 | 70 | 70 | 70 |
| LAYERS PER BUNDLE | 4 | 5 | 4 | 13 | 4 | 4 | 4 |
| FCFT PER BUNDLE | 5.52 | 3.28 | 5.52 | 5.12 | 6.87 | 6.87 | 6.87 |
| FCFT PER LAYER | 1.38 | 0.66 | 1.38 | 0.39 | 1.72 | 1.72 | 1.72 |
| FCFT PER UNIT | 0.46 | 0.66 | 0.46 | 0.39 | 0.57 | 0.57 | 0.57 |
| UNITS PER BUNDLE | 12 | 5 | 12 | 13 | 12 | 12 | 12 |
| UNITS PER LAYER | 3 | 1 | 3 | 1 | 3 | 3 | 3 |
| LBS PER BUNDLE | 795.96 | 795.01 | 771.96 | 723 | 1,128 | 1,116 | 1,049 |
| LBS PER LAYER | 198.99 | 159 | 192.99 | 55.62 | 282 | 279 | 262.25 |
| LBS PER UNIT | 66.33 | 159 | 64.33 | 55.62 | 94 | 93 | 87.42 |

PACKAGING

| | STEP 48"X24" | PILLAR CAP 29" | FIREPIT COPING |
|---------------------|--------------|----------------|----------------|
| UNIT THICKNESS (MM) | 150 | 100 | 65 |
| LAYERS PER BUNDLE | 3 | 5 | 6 |
| FCFT PER BUNDLE | 5.91 | - | - |
| FCFT PER LAYER | 1.97 | - | - |
| FCFT PER UNIT | 1.97 | - | - |
| UNITS PER BUNDLE | 3 | 5 | 24 |
| UNITS PER LAYER | 1 | 1 | 4 |
| LBS PER BUNDLE | 1,669 | 1,030 | 852 |
| LBS PER LAYER | 556.33 | 206 | 142 |
| LBS PER UNIT | 556.33 | 206 | 35.50 |

INSTALLATION NOTES

Ledgestone™

Ledgestone is a universal coping system that is turning heads with its remarkably natural appearance. Featuring pitched edges to work interchangeably with any wall, the design selections are optimized.

Applications – Coping for steps, pool edges, planters and walls. Units are designed for straight applications but radius applications can be achieved by cutting tapered units.

Connection – non-mechanical connection. Use appropriate concrete adhesive for connection between units. Install with tight joints or 3/16" gap between units and amend with an exterior latex caulking. Cutting may be required; a diamond blade saw is required to cut coping properly. Glue all coping using a specially formulated concrete adhesive that is strong and will not break down over time. Always read adhesive manufacturers' directions prior to gluing. NOTE: always scarify (rough-up) the back surface of the coping units with a grinder prior to gluing so that you will have a strong secure connection.

Note: always slope Ledgestone units slightly (from front to back or back to front) to prevent pooling of water on the surface.

Handling – Handle gently to avoid chipping edges.

Contact Unilock Representative for actual color samples and availability. Unilock reserves the right to change product information without notice.

PDF Generated March 8, 2025, 2:00 pm

UNILOCK