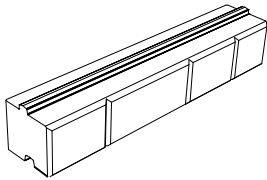
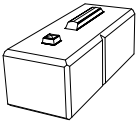
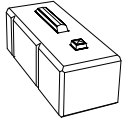
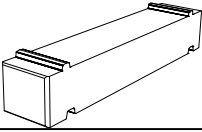
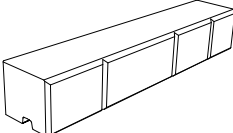


DURA HOLD 2[®]

RETAINING WALL SYSTEM

REF: Detail_DuraHold2_System Components

DURAHOLD2 System Units		Face Width	Back Width	Height	Depth	Weight
	Standard Unit	72"	72"	12"	14"	1050 lbs
		1830 mm	1830 mm	305 mm	360 mm	480 kg
	Left Corner Unit	36"	36"	12"	14"	525 lbs
		915 mm	915 mm	305 mm	360 mm	240 kg
	Right Corner Unit	36"	36"	12"	14"	525 lbs
		915 mm	915 mm	305 mm	360 mm	240 kg
	Tie-Back Unit	72"	72"	12"	14"	1050 lbs
		1830 mm	1830 mm	305 mm	360 mm	481 kg
	Coping Unit	72"	72"	12"	14"	1050 lbs
		1830 mm	1830 mm	305 mm	360 mm	481 kg

* -indicates dimensions of alternate units available in some locations

DURA-HOLD System Design/Construction Information		
Minimum Inside/Outside Radius	Standard Units	289
		82 m
	Tapered Half Units	N/A
Maximum Gravity Height**		3.0'
		0.9m
Maximum Geogrid/Crib Height		+3'
		+9.0 m
Application of Handrail	Concrete Sonotube behind wall	48" depth 1200 mm depth
Application of Wood Fence	Concrete Sonotube (depth as required by design) Offset Min. 300mm (12")	
Application of Coping Unit	Adhesive required	
Stacking Alignment	Battered	
Facing	Smooth Chamfered Face	
Placement Method	Machine	

** -Typical Values, site conditions govern and may result in different values



Engineering design by RisiStone Inc.

UNILOCK.COM | 1-800-UNILOCK

UNILOCK[®]
PAVERS & WALLS