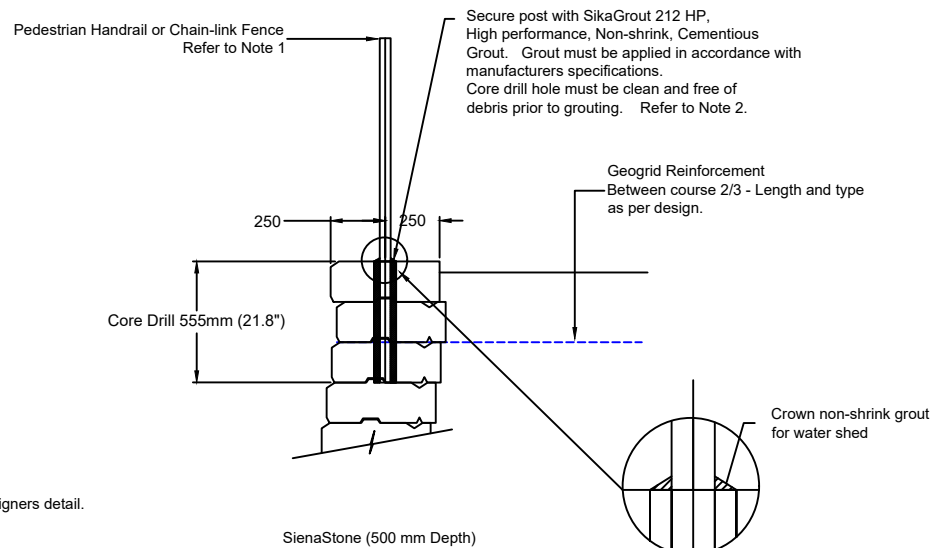


## PEDESTRIAN HANDRAIL DETAIL



Notes:

**1. Pedestrian Handrail or Chain Link Fence**  
(Designed by others).

- a) Must be non-wind bearing
- b) Max. Post O/D = 75mm (3")
- c) Post shape to be circular. If square post is required, circular post must be sleeved into square post as per fence designers detail.
- d) Grouted portion of the post must be unpainted.
- e) Post must be sealed or capped from the top to prevent infiltration of water.
- f) Post must be filled with grout inside and outside to crowing elevations (just above top of block)
- g) Max. 1.8 m post spacing.

**2. Grouting and Core Drilling**

- a) Grout manufacturers specifications must be adhered to. Failure to follow these specifications may lead to failure of the SRW block.
- b) Holes are to be core drilled. Use of percussion type instrument is not allowed.
- c) Core drill hole to extend completely through the specified number of courses to allow high pressure water jet (or other suitable means) to clean hole of dust and debris prior to grouting.
- d) O/D of core drill hole not to exceed 100mm. Core drill hole O/D to exceed post O/D by min. 25mm. Core drill hole to be centered midway through block as shown. Min. 250mm offset to either end of block.
- e) Installation must take place during the grout manufacturer's recommended temperature ranges.
- f) The core drilled holes must be cleaned and free of dust and debris prior to pouring of the grout.
- g) The core drill holes must be wet down prior to pouring the grout to promote a damp curing environment.
- h) The grout must be brought up to just above the top of the coping unit and sloped away (crowned) from the post to prevent the future infiltration of water into the core drill hole. Contractor must ensure water is prevented from infiltrating post hole.
- i) All contaminated water (used in cleaning the hole or core drilling) must be washed from the face of the wall to prevent staining.
- j) Additional requirements and provisions are required by Grout manufacturer for proper performance than those noted here. Strict adherence to specifications required.
- k) Most often Local Building code will require that the contractor retain a General Review Engineer to ensure installation is in compliance with design and specifications (Wall and grout manufacturers specs).



Engineering design by RisiStone Inc.