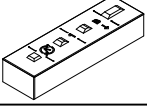
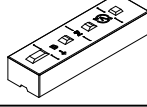
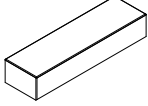
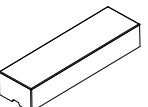


SIENA EDGE[®]

RETAINING WALL SYSTEM

REF: Detail_Siena Edge_System Components

SienaEdge Units	Face Width	Back Width	Height	Depth	Weight
Standard Unit No.1 & Left Corner 	39.37"	39.37"	7.09"	11.42"	269 lbs
	1000 mm	1000 mm	180 mm	290 mm	122 kg
Standard Unit No.2 & Right Corner 	39.37"	39.37"	7.09"	11.42"	269 lbs
	1000 mm	1000 mm	180 mm	290 mm	122 kg
Coping Unit & Left Close-End 	39.37"	39.37"	7.09"	11.42"	269 lbs
	1000 mm	1000 mm	180 mm	290 mm	122 kg
Coping Unit & Right Close-End 	39.37"	39.37"	7.09"	11.42"	269 lbs
	1000 mm	1000 mm	180 mm	290 mm	122 kg

* -indicates dimensions of alternate units available in some locations

SienaSmooth System Design/Construction Information		
Minimum Inside/Outside Radius	Standard Units	240'
		73 m
Maximum Gravity Height**	Standard Units	3.0'
		1.00 m
Maximum Geogrid Height	Standard Units	+30'
		+9.0 m
Application of Handrail	Coredrill to Minimum Depth of:	21.3"
		540 mm
Application of Wood Fence	Concrete Sonotube (depth as required by design) Offset Min. 300mm (12")	
Application of Coping Unit	Adhesive Not Required	
Stacking Alignment	Battered & Vertical	
Facing (Coping)	Smooth Face	
Placement Method	Machine	

** -Typical Values, site conditions govern and may result in different values



Engineering design by RisiStone Inc.

UNILOCK.COM | 1-800-UNILOCK

UNILOCK[®]
PAVERS & WALLS