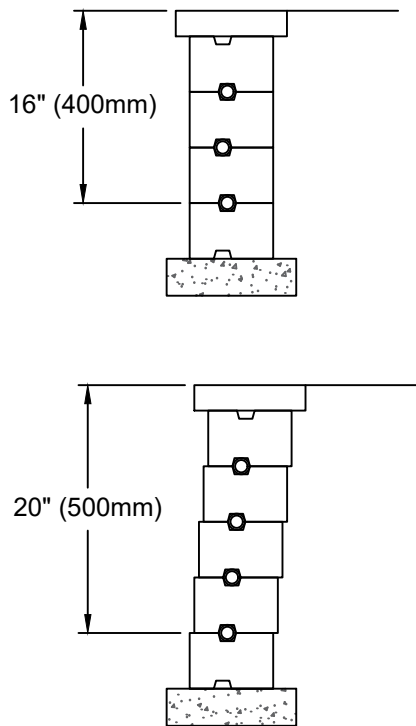


ESTATE WALLTM

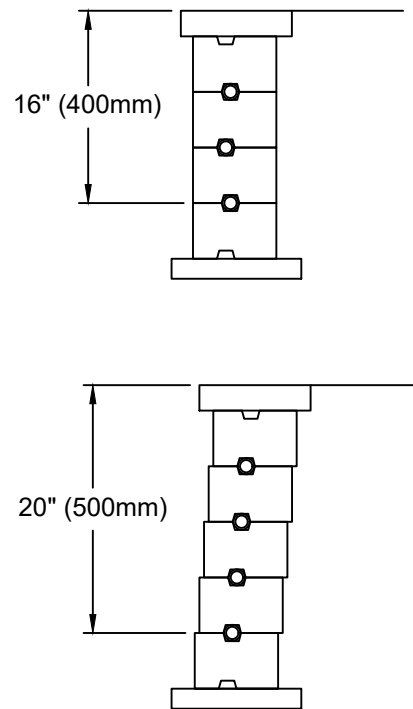
REF: Detail_Estate Wall_Wall Height Chart

WALL HEIGHTS

Poured Base Construction



U-Grip Base Pad Construction



Note:

Consult a qualified professional engineer to determine site specific construction details.

Maximum height is typical and will vary from project to project depending on site conditions and load requirements. Geogrid placement, quantity and length may change.

This cross section is intended for preliminary design purposes only.